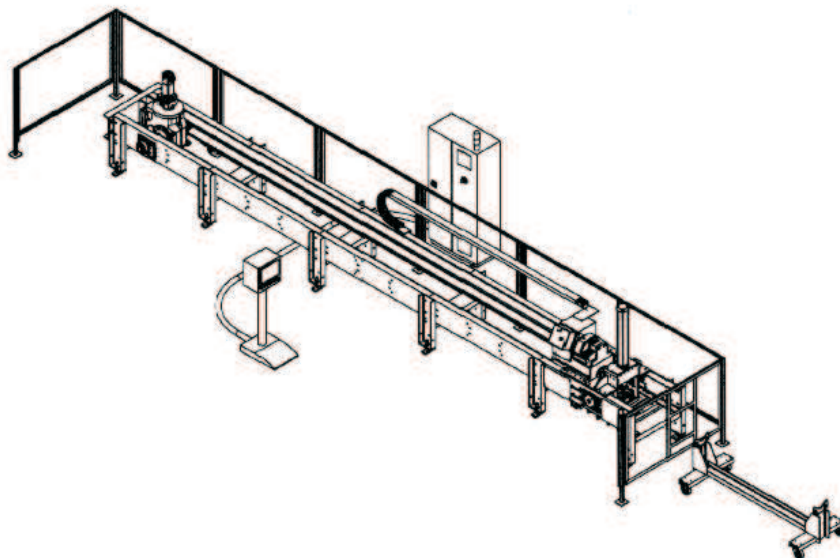




GEFAT
Engineering GmbH



Core Puller for Stator Pipes



Core Puller for stator pipes

This machine automatically pulls out the cores of vulcanized stator pipes up to 6 m of length with various diameters.

The operator places the pipe into a movable and height-adjustable pipe-holder via hoist or crane and will couple the core onto the pulling-unit. The matching pipe may be chosen from a provided pipe library via operator panel. Included in this library are the pipe parameter type, length, amount and angle/ screw thread and pulling speed. After starting the automatic, the machine begins fully automatic to pull out the core material-protectively by means of a controlled combination of pull and turn movements.

The 2 colour traffic light (green/red) enables the operator even from a greater distance to realize the machine status. Possible trouble announces will be shown on the operator panel in clear text. A curve diagram shows the power used upon the pulling procedure and may be used to optimize the pull-out-parameter. The system is furnished with a safety light barrier and a safety fence. This, at one point, enables the access to the machine for loading and reloading, but, on the other side, grants an optimal person protection.



The perfect rotation for your solution



GEFAT Engineering GmbH
Steinbrinksweg 41
Telefon: +49 51 52 / 9 47 06 - 0
E-mail: info@gefath.de

D-31840 Hessisch Oldendorf
Fax: +49 51 52 / 9 47 06 - 99
<http://www.gefath-engineering.de>